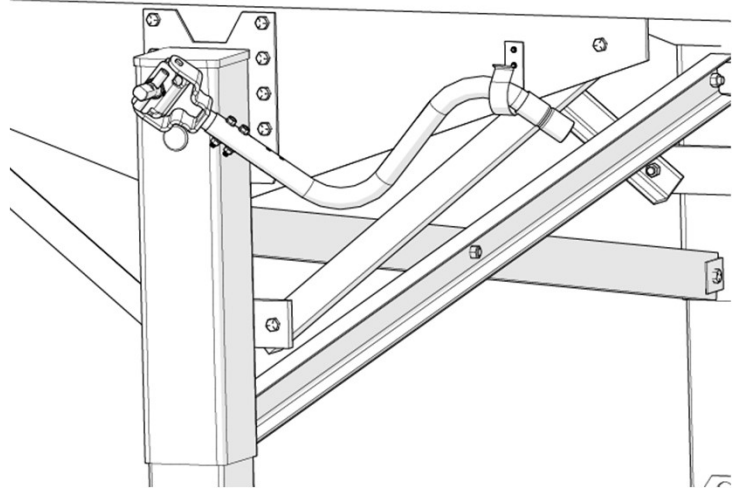
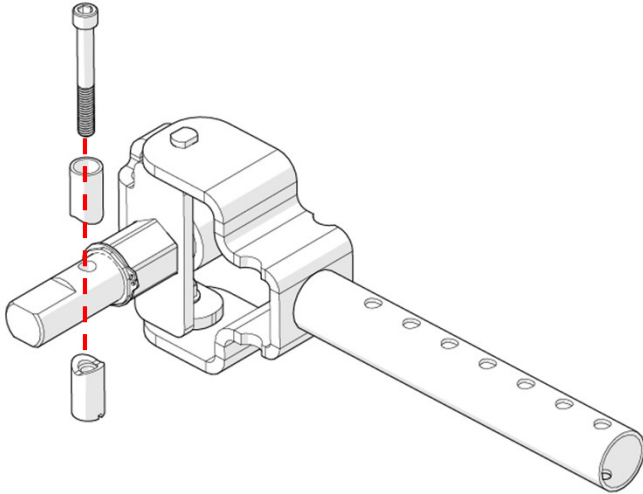
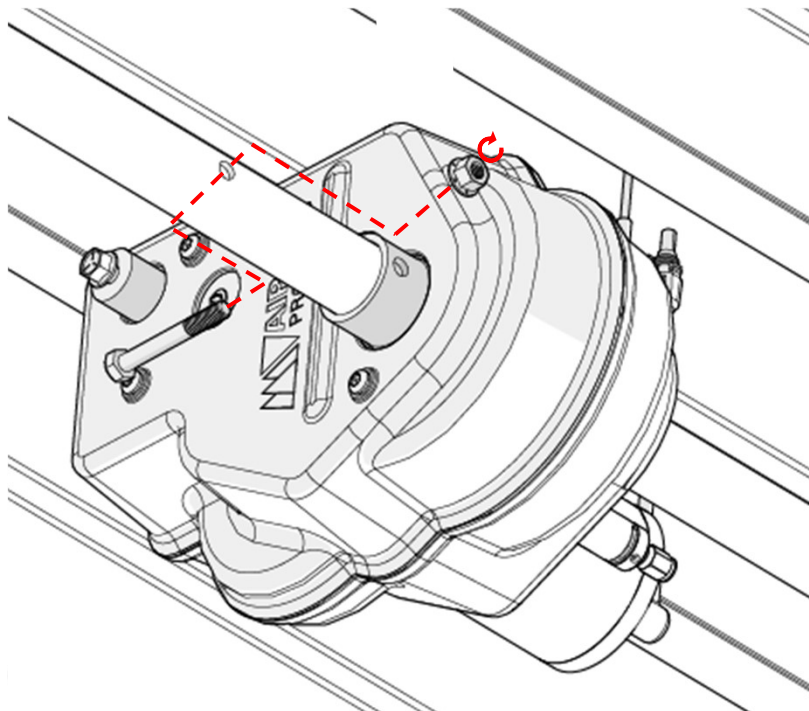


# EZ-LIFT™ QUICK START GUIDE

## A. INSTALL EZ HANDLE

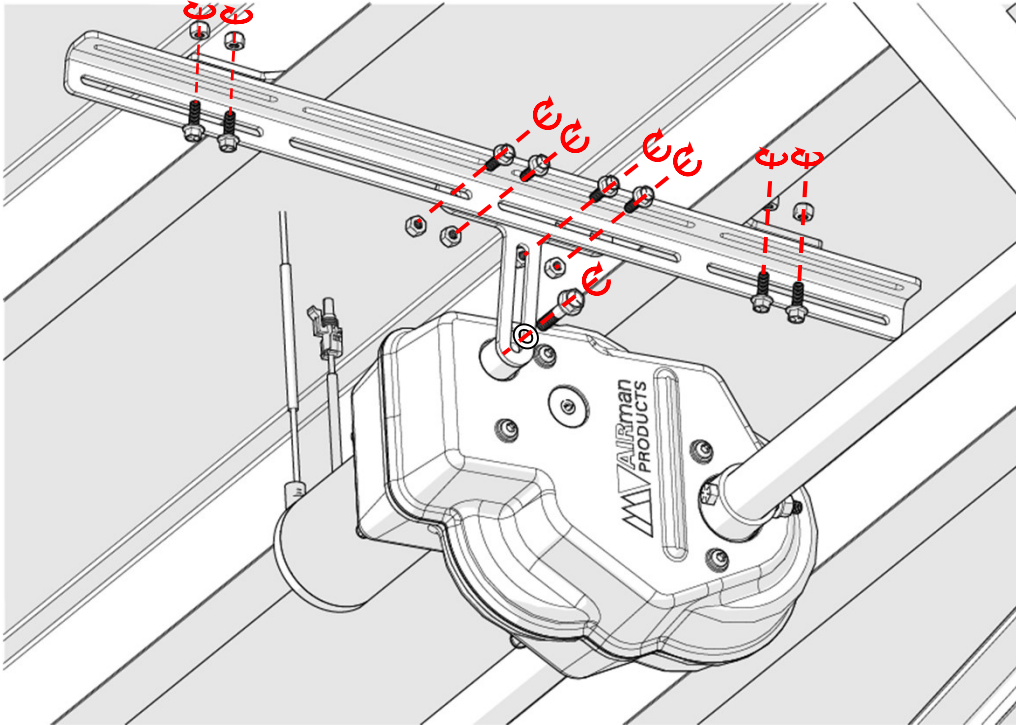


## B. INSTALL ACTUATOR ON CROSS SHAFT

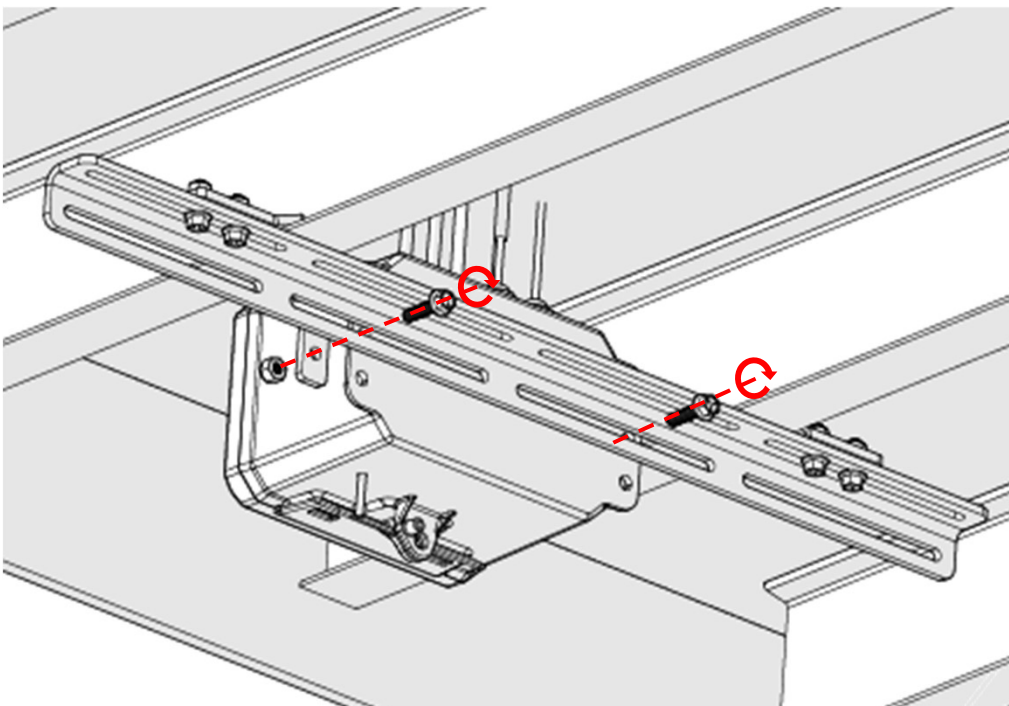


# EZ-LIFT™ QUICK START GUIDE

## C. INSTALL SUPPORT STRUT



## D. INSTALL CONTROL ENCLOSURE AND BRACKET



# EZ-LIFT™ QUICK START GUIDE

## E. CONNECT TO POWER AND AIR SUPPLY

