



1300-029 INSTRUCTION, *EZ-Lift*[™] AIR PRESSURE CHECK



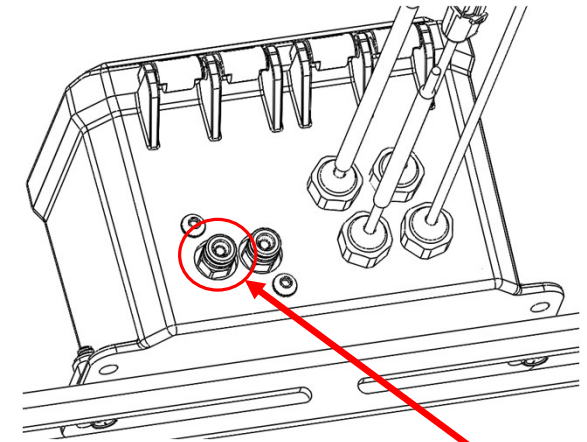
REV	DATE	EC#	DESCRIPTION	DRAWN	CKD
A	2022-04-20		ORIGINATED	JMA	CED



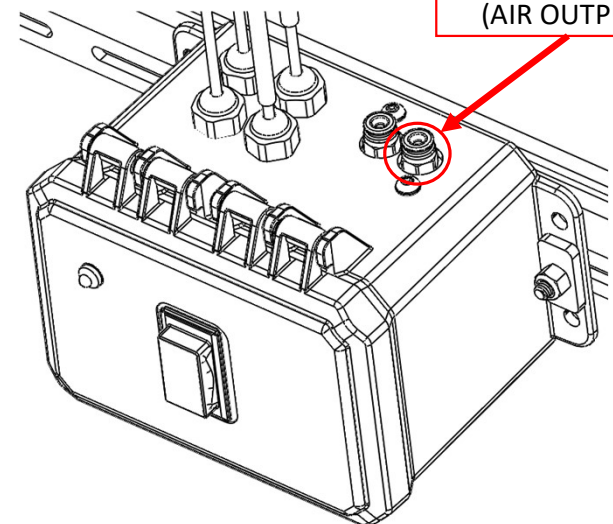
INSTRUCTION AIR PRESSURE CHECK

STEP 1: AIR PRESSURE CHECK

- Disconnect tube in location shown (air output on enclosure)
- Install in-line gauge at air output to actuator
- Operate switch and observe air pressure.
 - If pressure is maintained > 80 psi is observed while operating the switch
 - See document 1300-028 (voltage check)
 - If no pressure is observed while operating the switch
 - See document 1300-028 (voltage check)
 - If voltage check is sufficient and no air pressure is observed on output, enclosure must be replaced
 - If pressure is low (> 0 and < 80 psi),
 - Confirm vehicle supply pressure is > 80 psi
 - If pressure adequate, replace Pressure Protection Valve at tank
 - If pressure is still low on output of enclosure, replace enclosure assembly
 - If vehicle supply pressure is < 80 psi
 - Fix supply pressure issues on vehicle
 - Recheck enclosure output pressure (restart this guide)



Disconnect tube and check air here (AIR OUTPUT)



1300-029 INSTRUCTION, EZ-LIFT AIR PRESSURE CHECK