



# TOW BAR JACK

## ALL IN ONE SOLUTION

### BENEFITS

#### EASE OF USE

The pump, cylinder, and reservoir are integrated into one simple unit, eliminating the hassle of multiple hoses and fittings.

#### CUT YOUR COSTS

Built with corrosion-resistant components to lower maintenance costs by preventing frequent repairs or replacements.

#### INCREASED DELIVERY RATE

Engineered without connection points to minimize leaks, reduce downtime, and boost reputation.



#### TRANSFORM YOUR TOWING EXPERIENCE

Eliminate the extra parts, the hassle of multiple steps, the wasted money on replacing regular jacks, and the lengthy installation process. Our all-in-one Tow Bar Jack solution simplifies your towing experience while delivering additional advantages. Thanks to our vertically integrated, U.S.-based manufacturing, you have peace of mind that your product won't get stuck in a shipping container waiting to be unloaded.

### WHY CHOOSE STAR

**U.S. MANUFACTURED:** Our product is manufactured at our plants in Illinois and Ohio, protecting you from the next supply chain crisis.

**EXCEPTIONAL QUALITY:** Our expertly engineered products feature innovative solutions, minimizing the risk of leaks. With quality enhancements and rigorous testing, these products ensure your customers will be delighted with the durability of the product.

**RESPONSIVE:** Talk to a live person via phone or email for all purchase orders, questions or concerns.

**CUSTOMIZATION:** We are committed to providing exactly what you need. We're big enough to deliver, yet small enough to care and provide personalized, high-quality service.

### ENHANCE YOUR BRAND REPUTATION

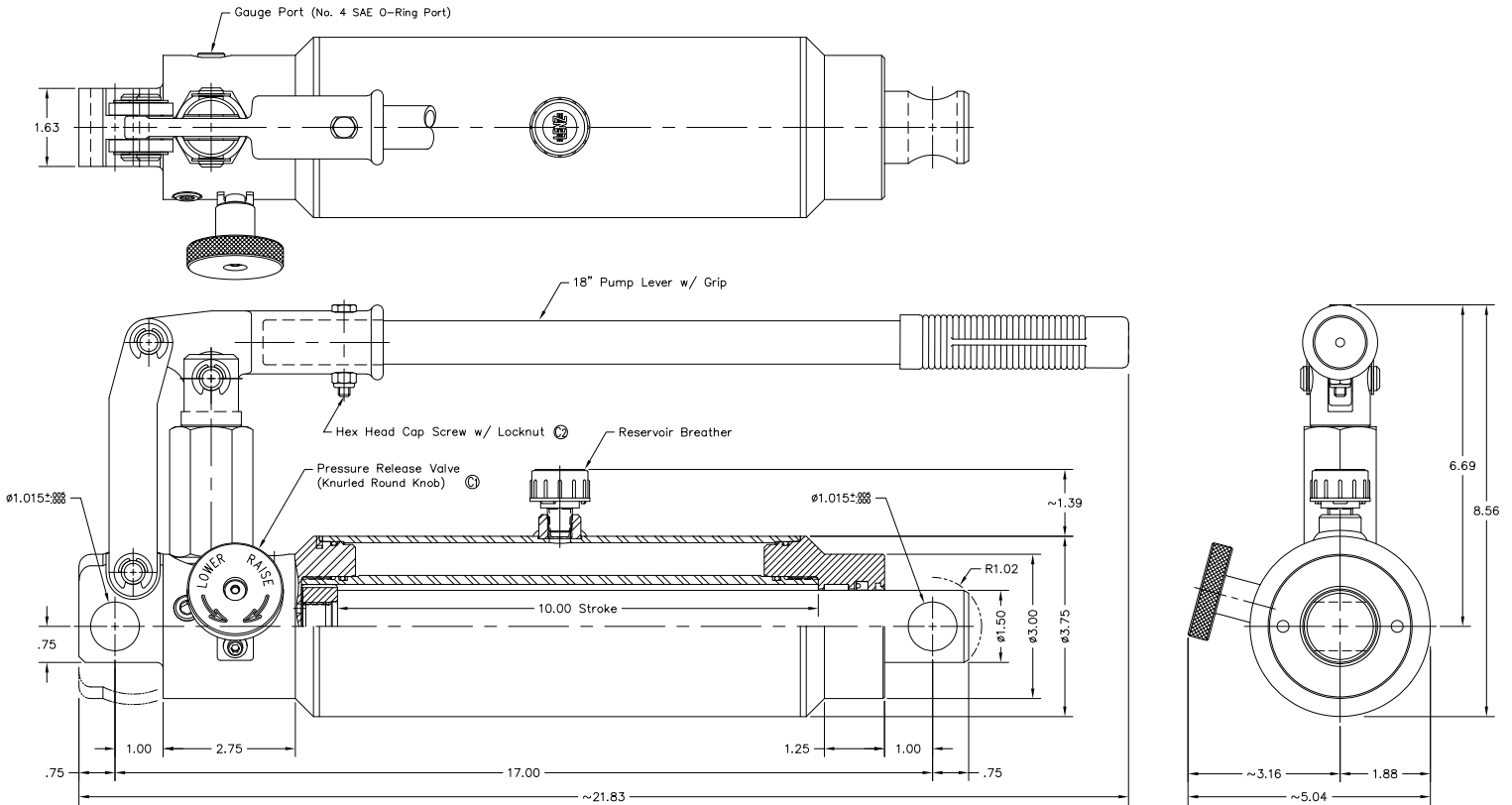
The Tow Bar Jack is designed to boost efficiency, enhance quality, and elevate the reputation of OEM tow bar manufacturers.

**Contact us today to discover how you can achieve a competitive edge!**

THE ALKON CORPORATION  
FAMILY OF BRANDS



## TOW BAR JACK DIMENSION INFORMATION



## DESIGN SPECIFICATIONS

**PUMP LEVER LENGTH:** 18"  
**PRESSURE RELEASE:** Knob  
**OVERLOAD VALVE:** Included  
**MOUNTING:** Simple pin-to-pin mounting  
**RESERVOIR:** Refillable with reservoir breather

**SERVICE TEMPERATURE:** -60°F to 212°F operating range  
**MATERIALS:** Stainless steel pump piston and cylinder rod  
**FINISH:** Two-part epoxy finish and corrosion-resistant components  
**CUSTOMIZABLE:** Custom stroke and mounting are available

## MODEL NUMBER INFORMATION

Model No.	Cylinder Ram	Cylinder Stroke	Max. Oper. Pressure	Ext. Force @ MOP	Pump Piston	Pump Volume	Lever Cycles to Full Stk.	Lever Force @ 2000 psi	Repair Kit
TBJ-P1	Ø1.50"	10.00"	2000 psi	3534 Lbs.	Ø0.50"	0.29 in <sup>3</sup>	60	32 Lbs.	TBJ-P1-RK
TBJ-P2	Ø1.50"	10.00"	2000 psi	3534 Lbs.	Ø0.75"	0.66 in <sup>3</sup>	26	73 Lbs.	TBJ-P2-RK
TBJ-P3	Ø1.50"	10.00"	2000 psi	3534 Lbs.	Ø1.00"	1.18 in <sup>3</sup>	15	182 Lbs.	TBJ-P3-RK