



# Air Control Valves & Cylinders

For Dealers and Distributors



[www.airmanproducts.com](http://www.airmanproducts.com)

# Table of Contents

## Page

<b>03</b>	Push Pull Valves
<b>06</b>	Pilot Valves
<b>08</b>	Solenoid Valves
<b>12</b>	Combination Valves
<b>17</b>	Control Valves
<b>19</b>	Ball Valves
<b>20</b>	Quick Release Valves
<b>21</b>	Pressure Protection
<b>22</b>	Check Valves
<b>23</b>	Cylinder, Single-Acting
<b>24</b>	Cylinder, Double-Acting
<b>25</b>	Gauges
<b>26</b>	Born In The USA
<b>27</b>	Becoming An AIRman Dealer

## Push-Pull Valves



### B2400-B38 Valve

**Description:** Valve, 1/4" NPT, 5-2, Vented Cap-Push Pull With Detent + Labels

**Application:** Double-Acting Cylinder, Lift Axle

**Cross-Reference:** Tramec Sloan 320121, Tramec Sloan 320175 (Standard Panel Mount), Watson & Chalin 17524-01, 1752401, Automann 170.V24203



### B2400-B39 Valve

**Description:** Valve, 1/4" NPT, 5-3, Vented Cap-Push Pull With Detent + Labels

**Application:** Double-Acting Cylinder, Suspension Pump

**Cross-Reference:** Tramec Sloan 320122, 320128, 320176 and 320192; Tramec Sloan 401261 and 401802; East Mfg 510-25039-22, Buyers Products BAV020, Truck Spring VS4N, Apsco VX4-N, Ridewell 1230121 and 1230087, Automann 170.V24301, 29PP5

Dimensions (max value in each direction)			
Weight (lbs)	Width	Height	Thickness
0.6 lbs	1.8"	5.8"	1.0"

Dimensions (max value in each direction)			
Weight (lbs)	Width	Height	Thickness
0.7 lbs	1.8"	6.1"	1.0"

## Push-Pull Valves



### B2400-B40 Valve

**Description:** Valve, 19/50" NPT, 5-2, Vented Cap-Push Pull With Detent + Labels

**Application:** Double-Acting Cylinder, Lift Axle

**Cross-Reference:** Alkon TD6300, Buyers Products AK12392MR, 170.V24204



### B2400-B43 Valve

**Description:** Valve, 1/4" NPT, 3-2, Push Pull-Vented Cap + Dump Label

**Application:** Single-Acting Cylinder, Suspension Dump

**Cross-Reference:** Watson & Chalin 11861-03, Dragon 243-4007, RG Group TD-4200, Automann 170.1186103

Dimensions (max value in each direction)			
Weight (lbs)	Width	Height	Thickness
0.7 lbs	2.0"	5.8"	1.0"

Dimensions (max value in each direction)			
Weight (lbs)	Width	Height	Thickness
0.9 lbs	1.8"	5.4"	1.0"



# Push-Pull Valves



## B2400-B73 Valve

**Description:** 1/4" NPT, 5-2, Vented Cap-Push Pull With Detent With Fittings

**Application:** Tailgate Latching, Suspension Dump

**Cross-Reference:** Hendrickson S14179



## V251S20021-BLK Valve

**Description:** Dump Truck Tailgate Push Pull Air Valve

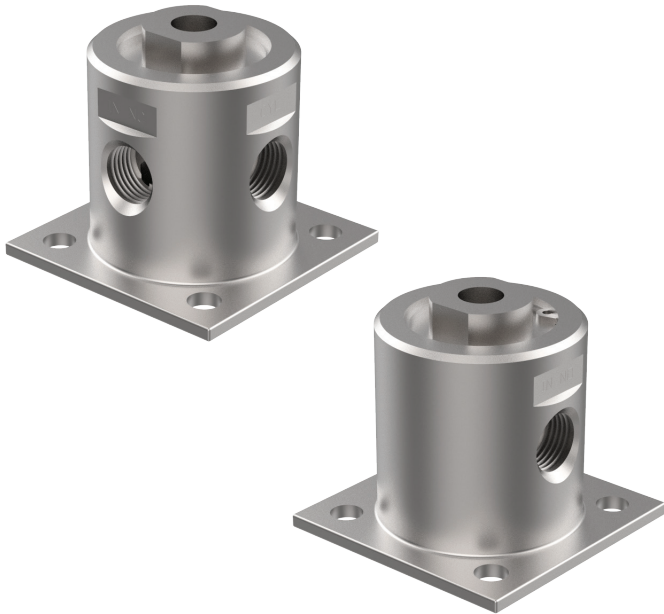
**Application:** Single Acting Cylinder, Suspension Dump, Truck Tailgate

**Cross-Reference:** VX3, 3750200709, 170.V23201

Dimensions (max value in each direction)			
Weight (lbs)	Width	Height	Thickness
0.6 lbs	1.8"	5.8"	1.0"

Dimensions (max value in each direction)			
Weight (lbs)	Width	Height	Thickness
0.6 lbs	1.8"	5.8"	1.0"

# Pilot Valves



## B2400-B84 Valve

**Description:** Valve, Pilot Operated 3-Way

**Application:** Single Acting Cylinder, Suspension Dump

**Cross-Reference:** Hendrickson B-38689, Haldex 90554615, Cush R014C, Peterbilt 24701140, Stoughton NW905-54-615, Hendrickson S-23588, 12900666, P6760-0063, 8DB30147



## K1100-344 Valve

**Description:** Valve, Pilot-Operated 3-Way, 1/4" NPT, With Fittings

**Application:** Single-Acting Cylinder, Suspension Dump

**Cross-Reference:** Hendrickson AK-54, A-23588, Hendrickson VS-23588, Hendrickson 170.AK54, Velvac 034074, Hendrickson 510-05588-20

Dimensions (max value in each direction)			
Weight (lbs)	Width	Height	Thickness
0.4 lbs	2.3"	2.0"	2.3"

Dimensions (max value in each direction)			
Weight (lbs)	Width	Height	Thickness
0.5 lbs	2.3"	2.0"	2.3"

## Pilot Valves

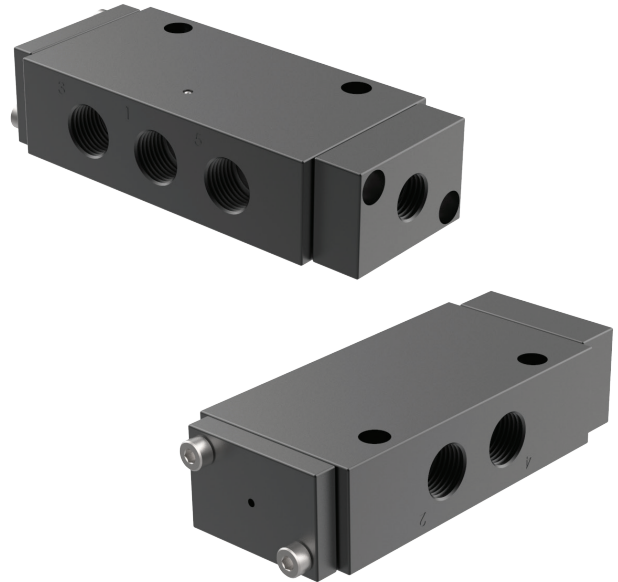


### [V250030512-BLK Valve](#)

**Description:** Valve, 1/4" NPT, 5-2, Air Pilot - Spring Return

**Application:** Double Acting Cylinder Control, Lift Axle Control

**Cross-Reference:** Hendrickson VS-26816, Apsco VX-4-AP, 2500200103, Norgren K41DA00KA1KS6, Hendrickson VS-2552, Automann 170.V14201



### [V250050312-BLK Valve](#)

**Description:** Valve, 1/4" NPT, 5-2, Spring Return - Air Pilot

**Application:** Double Acting Cylinder, Lift Axle

**Cross-Reference:** Watson & Chalin 10376-02, Alkon TD-4320, Apsco VX-4-AP

Dimensions (max value in each direction)			
Weight (lbs)	Width	Height	Thickness
0.6 lbs	1.8"	4.2"	1.0"

Dimensions (max value in each direction)			
Weight (lbs)	Width	Height	Thickness
0.6 lbs	1.8"	4.2"	1.0"

## Pilot Valves



### [V380030512-BLK Valve](#)

**Description:** Valve, 19/50" NPT, 5-2, Air Pilot - Spring Return

**Application:** Double-Acting Cylinder, Lift Axle

**Cross-Reference:** Alkon TD-6320, Norgren K41EA00KA1KS6, FleetSpec NG12394N, Automann 170.V14202, Velvac 320182

Dimensions (max value in each direction)			
Weight (lbs)	Width	Height	Thickness
0.6 lbs	2.0"	4.2"	1.0"

## Solenoid Valves



### [B2400-B41 Solenoid Valve](#)

**Description:** Valve, 1/4" NPT, 5-2, Solenoid - Spring Return, 12DC + EXH Mufflers

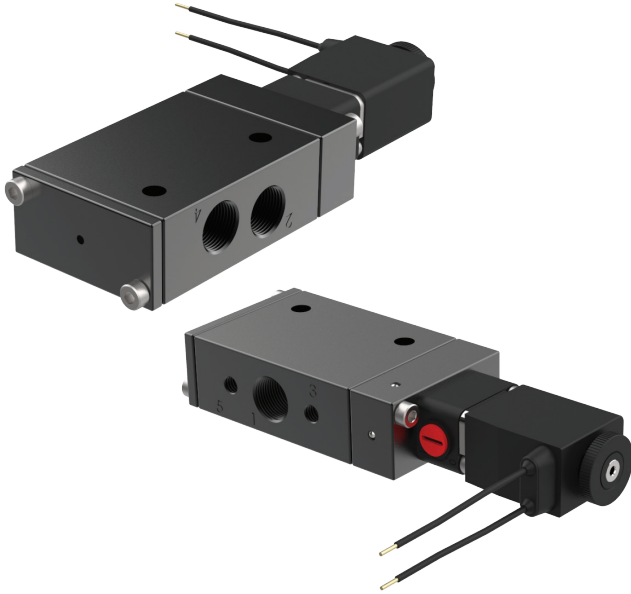
**Application:** Double-Acting Cylinder, Lift Axle

**Cross-Reference:** Velvac 320131 and 320178, Tramec Sloan 401263, Tectran 29SS4, Apsco VE2, Alkon P070SS11560, Parker P2LBX592ESNDCG45, and P2LB592ESNDCG47, Automann 173.V34202

Dimensions (max value in each direction)			
Weight (lbs)	Width	Height	Thickness
0.9 lbs	1.8"	6.3"	1.0"



# Solenoid Valves



## V1866N0512-DAL-BLK Valve

**Description:** Valve, 1/4" NPT, 5-2, Small Exhaust, Solenoid - Spring Return, 12DC

**Application:** Double-Acting Cylinder

**Cross-Reference:** Velvac 320134, Velvac 320180, Alkon P035SS11560, Automann 173.V34201



## V2506N0512-DAL-BLK Valve

**Description:** Valve, 1/4" NPT, 5-2, Solenoid - Spring Return, 12DC

**Application:** Double-Acting Cylinder, Lift Axle

**Cross-Reference:** TD-4342ADP, 401800

Dimensions (max value in each direction)			
Weight (lbs)	Width	Height	Thickness
0.4 lbs	1.5"	4.4"	0.8"

Dimensions (max value in each direction)			
Weight (lbs)	Width	Height	Thickness
0.9 lbs	1.8"	6.3"	1.0"

# Solenoid Valves



## V2506R0514-DAL-BLK Solenoid Valve

**Description:** Valve, 1/4" NPT, 5-2, Solenoid - Spring Return, 12DC

**Application:** Double-Acting Cylinder, Lift Axle

**Cross-Reference:** Ride Air RA023, Automann 173.V34203, TD4342A



## V2516N0523-DAL-BLK Valve

**Description:** Valve, 1/4" NPT, 3-2, Solenoid - Spring Return, 12DC

**Application:** Tailgate Latching Valve, Suspension Dump, Single Acting Cylinder

**Cross-Reference:** Apsco VE23W, Aspcos VE31, Parker P2LBX392ESN, DCG45, Hitachi CG45, Parker P2LBX392ESNDCG47, Automann 173.V33201

Dimensions (max value in each direction)			
Weight (lbs)	Width	Height	Thickness
0.9 lbs	3.6"	4.7"	1.0"

Dimensions (max value in each direction)			
Weight (lbs)	Width	Height	Thickness
0.7 lbs	1.8"	5.9"	1.0"

# Solenoid Valves



## V2516R0523-DAL-BLK Valve

**Description:** Valve, 1/4" NPT, 3-2, Solenoid - Spring Return, 12DC

**Application:** Single Acting Cylinder, Tailgate Latching, Suspension Dump, Truck Tailgate

**Cross-Reference:** Automann 173.V33204



## V380RE0514-DAL-BLK Valve

**Description:** Valve, 19/50" NPT, 5-2, Solenoid - Spring Return, 12DC

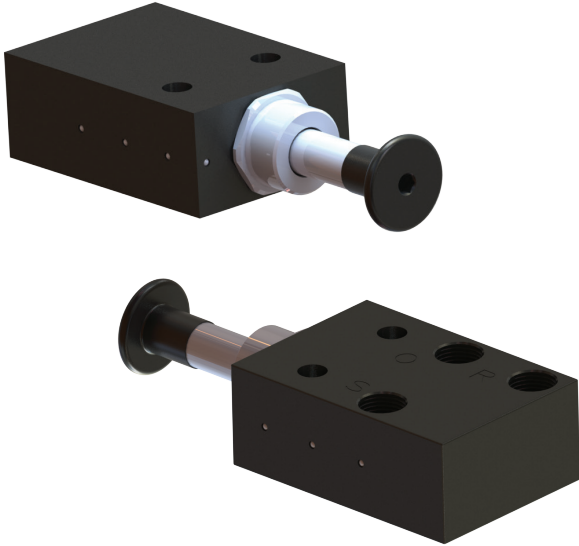
**Application:** Double-Acting Cylinder, Lift Axle

**Cross-Reference:** Velvac 320130, Velvac 320185, Alkon TD6342E, Automann 173.V34205

Dimensions (max value in each direction)			
Weight (lbs)	Width	Height	Thickness
0.7 lbs	1.8"	3.6"	1.0"

Dimensions (max value in each direction)			
Weight (lbs)	Width	Height	Thickness
0.9 lbs	2.0"	4.7"	1.0"

## Combination Valves



### B2400-B48 Valve

**Description:** Valve, 1/4" NPT, 3 Way Pilot Push Pull With Remote Reset

**Application:** Slider Suspension Pin Release

**Cross-Reference:** Meritor 7806X1090, Meritor A1-7806X1090, Meritor A17806X1090, Automann 170.V23204



### B2400-B63 Valve

**Description:** Valve, 1/4" NPT, Assy Cartridge Slide Pin With Remote Reset With Fittings

**Application:** Slider Suspension Pin Release

**Cross-Reference:** Hendrickson VS-25224 (VS-25223 w/Fittings), SAF Holland 90560012

Dimensions (max value in each direction)			
Weight (lbs)	Width	Height	Thickness
0.9 lbs	2.25"	5.55"	1.0"

Dimensions (max value in each direction)			
Weight (lbs)	Width	Height	Thickness
0.6 lbs	2.0"	3.2"	1.0"



## Combination Valves



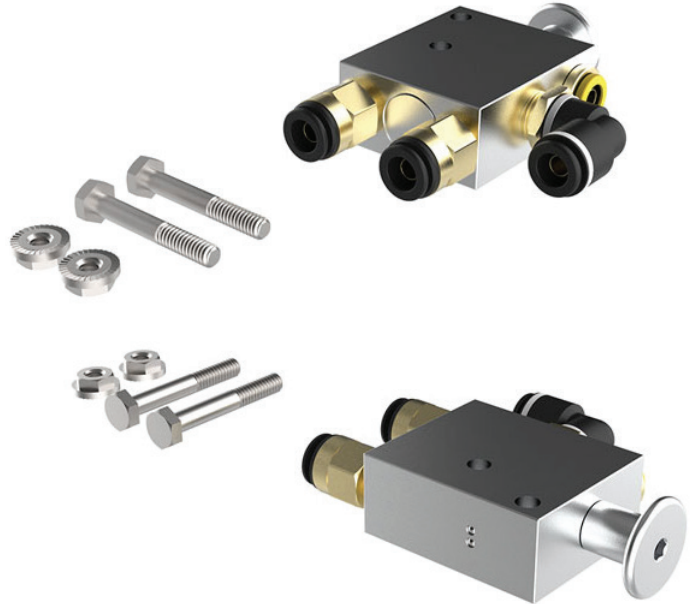
### B2400-889-BLK Valve

**Description:** Valve, 1/4" NPT, 3-2, Push-Pull, Remote Reset

**Application:** Slider Suspension Pin Release

**Cross-Reference:** Hendrickson VS-25223, Hendrickson B-25223, Ride Air RA230A, Van Horn 334-1846, Tramec Sloan 401797, Alkon SP-3345, Automann 171.H754

Dimensions (max value in each direction)			
Weight (lbs)	Width	Height	Thickness
0.4 lbs	2.0"	3.2"	1.0"



### B2400-B97 Valve

**Description:** Valve, .25 NPT, Assy Cartridge Slide Pin With Remote Reset With Fittings

**Application:** Slider Suspension Pin Release

**Cross-Reference:** VS-25224 (VS-25223 w/Fittings), 90560012 (SAF)

Dimensions (max value in each direction)			
Weight (lbs)	Width	Height	Thickness
0.6 lbs	2.0"	3.0"	1.0"

## Combination Valves

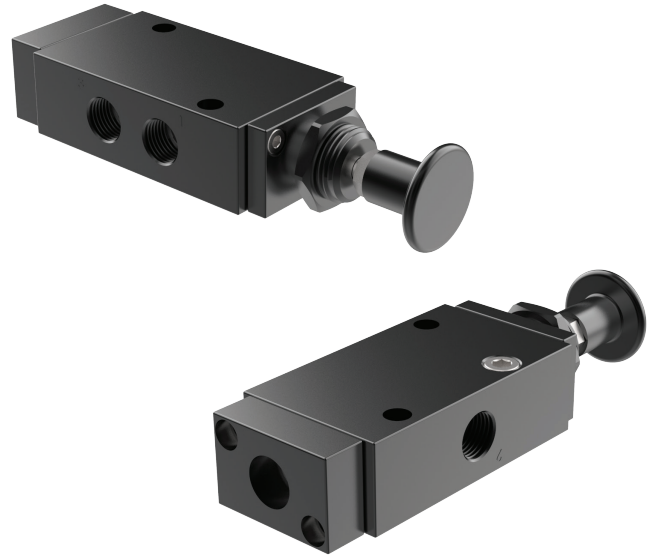


### [V250110114-DAL-BLK Valve](#)

**Description:** Valve, 1/4" NPT, 5-2, Solenoid-Push Pull, 12DC

**Application:** Double-Acting Cylinder, Lift Axle

**Cross-Reference:** Watson & Chalin 17523-01



### [V254010421-K12-BLK Valve](#)

**Description:** Valve, 1/4" NPT, 3-2, Push Pull - Air Pilot

**Application:** Single Acting Cylinder, Suspension Dump

**Cross-Reference:** Hendrickson VS-30428, Apsco VX-3, Automann 173.V232033, C-30428

Dimensions (max value in each direction)			
Weight (lbs)	Width	Height	Thickness
0.9 lbs	1.8"	5.9"	2.0"

Dimensions (max value in each direction)			
Weight (lbs)	Width	Height	Thickness
0.6 lbs	1.8"	5.5"	1.0"

## Combination Valves

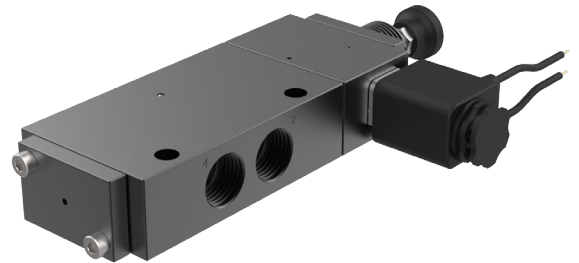


### [V380110114-DAL-BLK Valve](#)

**Description:** Valve, 19/50" NPT, 5-2, Solenoid - Push Pull, 12DC

**Application:** Double-Acting Cylinder, Lift Axle

**Cross-Reference:** Ride-Air RA220-RS, Velvac 320190, Watson & Chalin 1752301, Automann 170.V44203



### [V380E90512-DAL-BLK Valve](#)

**Description:** Valve, 19/50" NPT, 5-2, Push Pull and Solenoid Combination - Spring Return, 12DC, Manual OVRD External Pilot

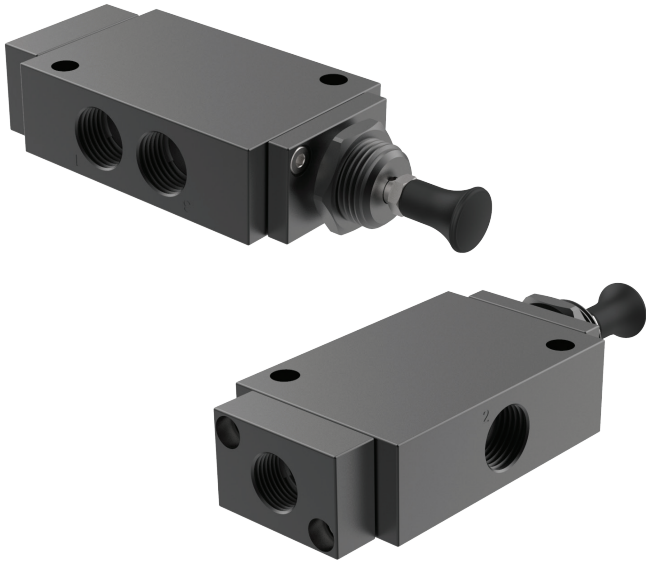
**Application:** Double-Acting Cylinder, Lift Axle

**Cross-Reference:** Velvac 320189, Tramec Sloan TD6362E, Automann 170.V44202, AP-V38009E05DA, K71EA00K56KVW, SP-4904

Dimensions (max value in each direction)			
Weight (lbs)	Width	Height	Thickness
0.9 lbs	2.0"	5.9"	2.0"

Dimensions (max value in each direction)			
Weight (lbs)	Width	Height	Thickness
1.1 lbs	2.0"	6.5"	1.0"

## Combination Valves

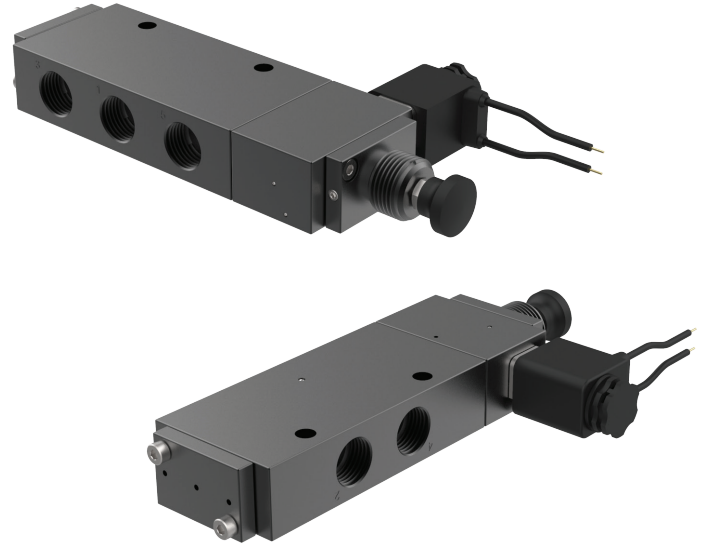


### [V38104S221-K11-BLK Valve](#)

**Description:** Valve, 19/50" NPT, 3-2, Air Pilot-Push Pull With Detent

**Application:** Single-Acting Cylinder, Suspension Dump

**Cross-Reference:** FleetSpec AK12401N



### [V385050912-DAL-BLK Valve](#)

**Description:** Valve, 19/50" NPT, 5-2, Long Body, Push Pull And Solenoid Combination-Spring Return, Manual OVRD Internal Pilot

**Application:** Double Acting Cylinder, Lift Axle

**Cross-Reference:** Ride-Air RA220-1, Automann 170.V44204, AK12392N

Dimensions (max value in each direction)			
Weight (lbs)	Width	Height	Thickness
0.6 lbs	2.0"	5.4"	1.0"

Dimensions (max value in each direction)			
Weight (lbs)	Width	Height	Thickness
1.1 lbs	2.0"	7.2"	1.0"



## Combination Valves



### [V38505E912-DAL-BLK Valve](#)

**Description:** Valve, 19/50" NPT, 5-2, Long Body, Push Pull Solenoid Combination - Spring Return, Manual OVRD External Pilot

**Application:** Double-Acting Cylinder, Lift Axle

**Cross-Reference:** Ride-Air RA220-1, Automann 170.V44205

Dimensions (max value in each direction)			
Weight (lbs)	Width	Height	Thickness
1.1 lbs	2.0"	7.2"	1.0"

## Control



### [B2400-B03 Lift Axle Control Valve Kit](#)

**Description:** Control, Valve Assembly, (NSI) Lift Axle Kit

**Application:** Lift Axle, Trucks/Trailers

**Cross-Reference:** Hendrickson HAC-NSI, Automann 170.HNSI

Dimensions (max value in each direction)			
Weight (lbs)	Width	Height	Thickness
4.0 lbs	7.3"	5.6"	2.8"

# Control

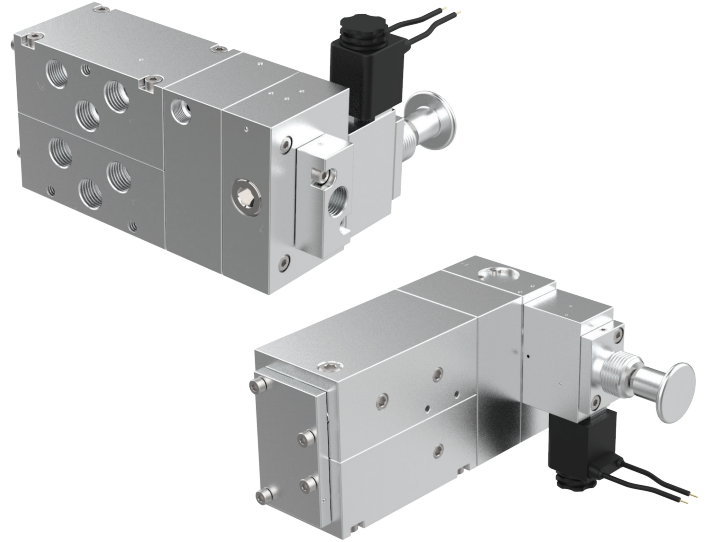


## B2400-B04 Lift Axle Control Valve

**Description:** Control, Valve Assembly, (SSI) Lift Axle Kit

**Application:** Lift Axle

**Cross-Reference:** Hendrickson HAC-SSI, Automann 170.HACSSI



## B2400-B53 Lift Axle Control Valve

**Description:** Control, Axle, X Over L To R, No Reg

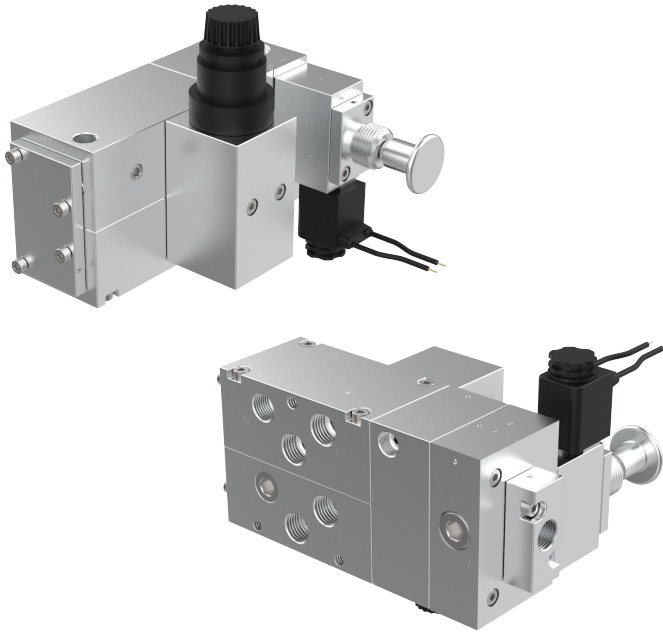
**Application:** Lift Axle, Trucks/Trailers

**Cross-Reference:** Hendrickson VS-31844-1, Automann 171.HVS3841, C-31543

Dimensions (max value in each direction)			
Weight (lbs)	Width	Height	Thickness
4.0 lbs	7.3"	6.9"	2.8"

Dimensions (max value in each direction)			
Weight (lbs)	Width	Height	Thickness
4.5 lbs	6.8"	5.2"	3.0"

## Control



### B2400-B54 Lift Axle Control Valve

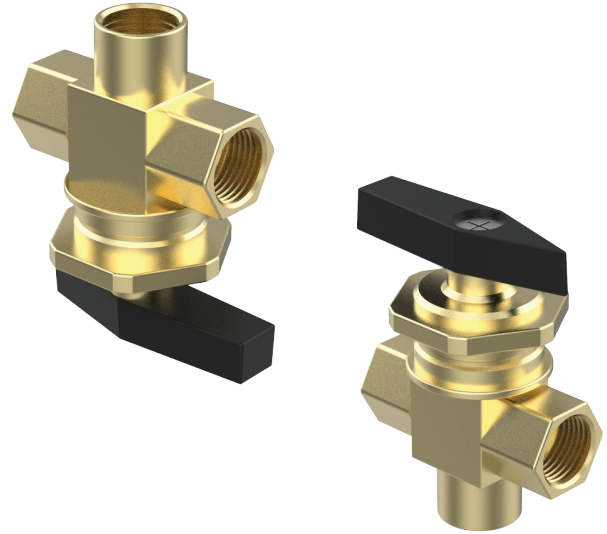
**Description:** Control, Lift Axle, X Over L To R, Reg Ride

**Application:** Lift Axle

**Cross-Reference:** Hendrickson VS-31844-2, Automann 171.HVS3842, C-31546

Dimensions (max value in each direction)			
Weight (lbs)	Width	Height	Thickness
3.6 lbs	6.8"	5.2"	3.0"

## Ball Valves



### K1100-330 Valve

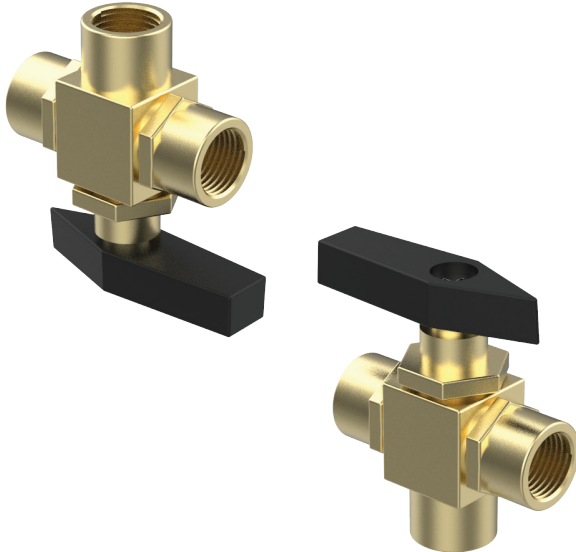
**Description:** Ball Valve, 3-Way, 1" Panel Mount With Patched Screw

**Application:** Single Acting Cylinder, Suspension Dump

**Cross-Reference:** Reitnouer P6760-0009, Mac 24700203, East Mfg 510-05020-00

Dimensions (max value in each direction)			
Weight (lbs)	Width	Height	Thickness
0.3 lbs	1.9"	2.5"	0.8"

## Ball Valves



### [K1100-331 Valve](#)

**Description:** Ball Valve, 3-Way, 1/2" Panel Mount With Patched Screw

**Application:** Single-Acting Cylinder, Suspension Dump

**Cross-Reference:** Hendrickson VS-22535, AK-147-1, Mac Trailer 26301155, Meritor R986018, SMC Pneumatics R014C

Dimensions (max value in each direction)			
Weight (lbs)	Width	Height	Thickness
0.3 lbs	1.9"	2.1"	0.8"

## Quick Release



### [B2400-B82 Quick Release Valve](#)

**Description:** Valve, Quick Release, 1/4" NPT

**Application:** Suspension Dump, Lift Axle

**Cross-Reference:** Ridewell 1230078, Hendrickson R004348-1, Norgren QEV13AA1H00S, Humphrey QE4, Hendrickson R0043481, Automann 170.QR1401A, QR2

Dimensions (max value in each direction)			
Weight (lbs)	Width	Height	Thickness
0.4 lbs	2.0"	2.0"	1.3"



## Quick Release



### B2400-B83 Quick-Release Valve

**Description:** Quick Release Valve, 19/50" NPT

**Application:** Suspension Dump, Lift Axle

**Cross-Reference:** Norgren T70A3800, Sealco 51025001-00, Silent Drive 1814-000-A, Automann 170.QR3801A, AK00026N, 223-681, QR3

## Pressure Protection



### B2400-B80 Valve

**Description:** Valve, Pressure Protection, 1/4" NPT

**Application:** Pressure Protection

**Cross-Reference:** Hendrickson VS-1128, Velvac 032222, Sealco 140380, Bendix 286500G, Tramec Sloan 401818, Norgren 5200-75, Parker 637-B-3-1/4-2, 9689, Haldex 90554107, Alkon PVN447, Automann 170.1470VA, A-1128, PP2-70, TV310011, 12900661

Dimensions (max value in each direction)			
Weight (lbs)	Width	Height	Thickness
0.4 lbs	2.0"	2.0"	1.3

Dimensions (max value in each direction)			
Weight (lbs)	Width	Height	Thickness
0.3 lbs	1.6"	2.3"	Hex

## Pressure Protection



### B2400-B81 Valve

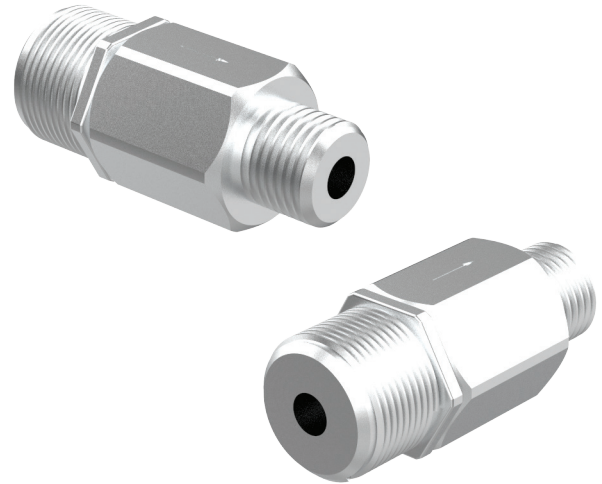
**Description:** Valve, Pressure Protection, 19/50" NPT

**Application:** Pressure Protection

**Cross-Reference:** Sealco 140200, Velvac 032217, Automann 170.3870VA, 223-6444, 1VLV00070, PP3-70, 8DB30211-1000

Dimensions (max value in each direction)			
Weight (lbs)	Width	Height	Thickness
0.3 lbs	1.6"	2.3"	Hex

## Check Valves



### B2400-B85 Valve

**Description:** Valve, Check, 1/4" NPT

**Application:** Check Valve

**Cross-Reference:** Velvac 320001, Bendix 800375 SC-3, 12900686

Dimensions (max value in each direction)			
Weight (lbs)	Width	Height	Thickness
0.6 lbs	1.1"	2.8"	1.3

# Cylinder, Single-Acting



## B3000-259-H-5 Cylinder

**Description:** Cylinder, Tail-a-Gater - 5" Rod Ext

**Application:** Single-Acting Cylinder, Tailgate Latching

**Cross-Reference:** Mac Trailer 27080090, Dsuban 2190022, Trailstar T212703259, PB3000



## B3000-259-H-6.5 Cylinder

**Description:** Cylinder, Tail-a-Gater - 6.5" Rod Ext

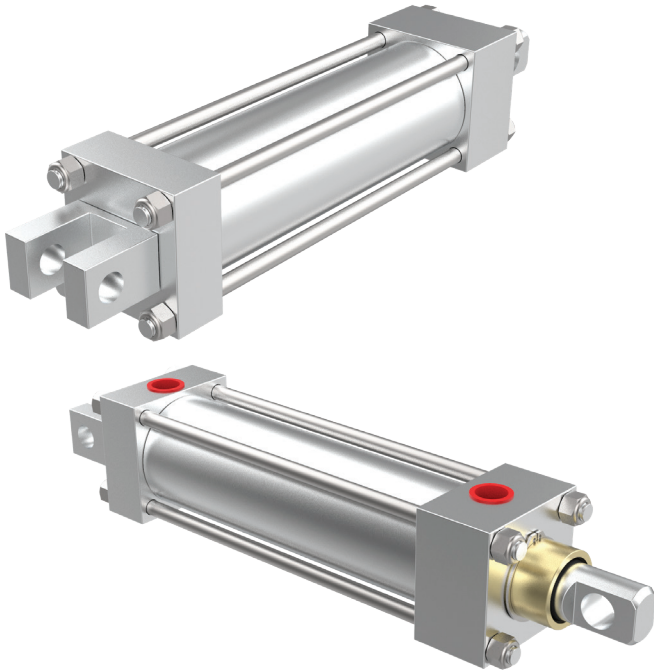
**Application:** Single-Acting Cylinder, Tailgate Latching

**Cross-Reference:** East Manufacturing 510-25950-03, Velvac 100603, Dsuban 27080091, Haldex R3PT75, 290075

Dimensions (max value in each direction)			
Weight (lbs)	Width	Height	Thickness
19.4 lbs	6.5"	14.7"	Round

Dimensions (max value in each direction)			
Weight (lbs)	Width	Height	Thickness
19.4 lbs	6.5"	16.2"	Round

# Cylinder, Double-Acting

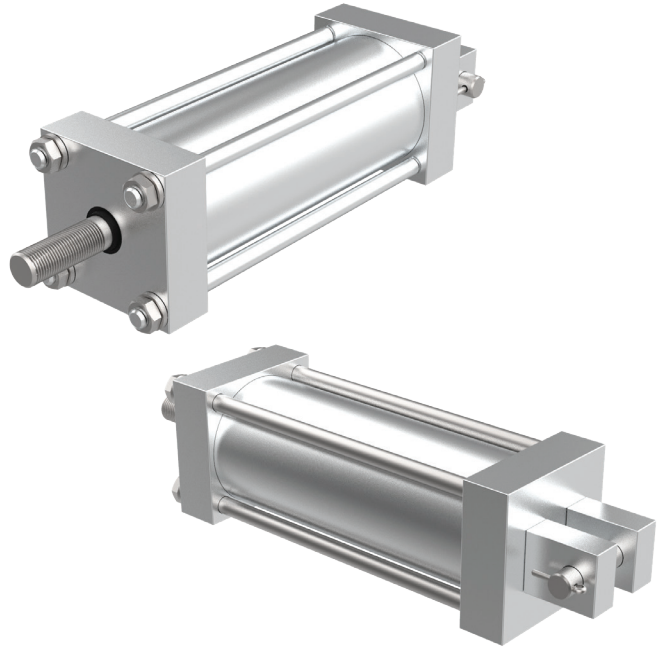


## B3000-424 Cylinder

**Description:** Cylinder, 2.0 X 3.0 Stroke, Spring Extension, Double-Acting

**Application:** Single-Acting Cylinder, Double-Acting Cylinder

**Cross-Reference:** AKW381140A0



## B3000-425 Cylinder

**Description:** Cylinder, 2.50 X 4.13 Stroke, Double-Acting

**Application:** Double-Acting Cylinder

**Cross-Reference:** Talbert ACKW381140B0

Dimensions (max value in each direction)			
Weight (lbs)	Width	Height	Thickness
5.2 lbs	2.5"	17.0"	2.5"

Dimensions (max value in each direction)			
Weight (lbs)	Width	Height	Thickness
5.4 lbs	3.0"	15.6"	3.0"

# Gauges



## [K1100-353 Gauge Valve](#)

**Description:** Gauge, Silicone Filled, 1/4" NPT, 2.00 Dial, 0-160 PSI, AIRman

**Application:** Single-Acting Cylinder, Double-Acting Cylinder, Suspension Dump, Lift Axle

**Cross-Reference:** 021-55419

Dimensions (max value in each direction)			
Weight (lbs)	Width	Height	Thickness
0.1 lbs	2.3"	2.0"	Round



# Born in The USA

## Made with American pride and quality.

AIRman Products, an Alkon Corporation company, manufactures air valves, controls, cylinders and fittings right here in the USA in our Michigan and Ohio factories. That means we can ship most standard products in just a few days, so you can get the parts you need quickly.

With 25 years of experience as manufacturers of truck pneumatic systems, we offer our dealers the quality parts, distribution, and marketing support they need in order to keep their customers logging miles instead of downtime.



Our manufacturing team possesses decades of experience working within an ISO-certified environment. Our standards of quality and on-time performance are second to none. Advantages include:

- Engineering, machining, assembly, and QC capabilities.
- On-time delivery consistently better than 95%.
- Products that meet the widest range of temperature, chemical resistance, sludge and lifecycle performance criteria in the Class 8 market.



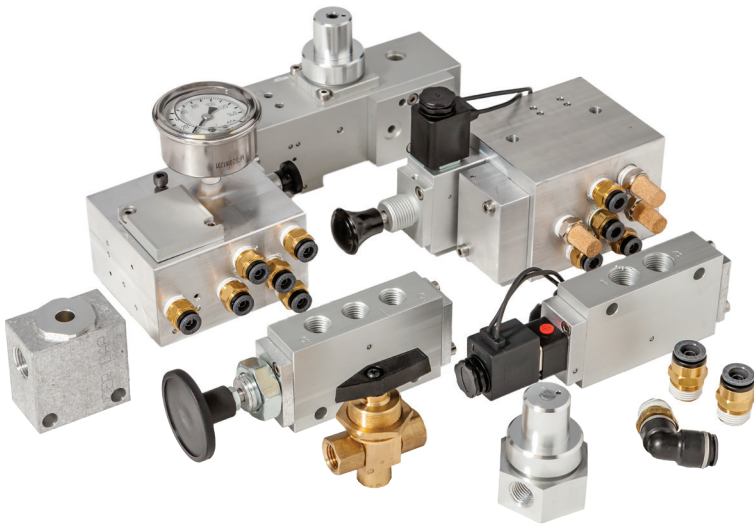
# Your Success Is In The AIR



**Become an Authorized AIRman Dealer and fuel your business success.**

AIRman helps you serve your customers and improve your operations with:

- A full line of rigorously tested air valves, air controls, air cylinders and fittings
- Products manufactured in the US for higher quality and faster delivery
- An online selection tool that lets you search for any air valve, cylinder or gauge by Market, Application or Product Type to find what you need quickly
- A 24-month warranty – the longest in the industry.





AIRman Products, LLC  
6150 Whitmore Lake Road  
Brighton, MI 48116

Phone: (248) 960-1354  
Fax: (248) 960-5865  
Email: [sales@airmanproducts.com](mailto:sales@airmanproducts.com)



 **AIRman**  
PRODUCTS  
[www.airmanproducts.com](http://www.airmanproducts.com)